

# Turntide Smart Motor System™ Quick Reference Guide

This document provides you with important dimensions, SKU descriptions, and specifications on Turntide products relevant for your HVAC retrofit project.

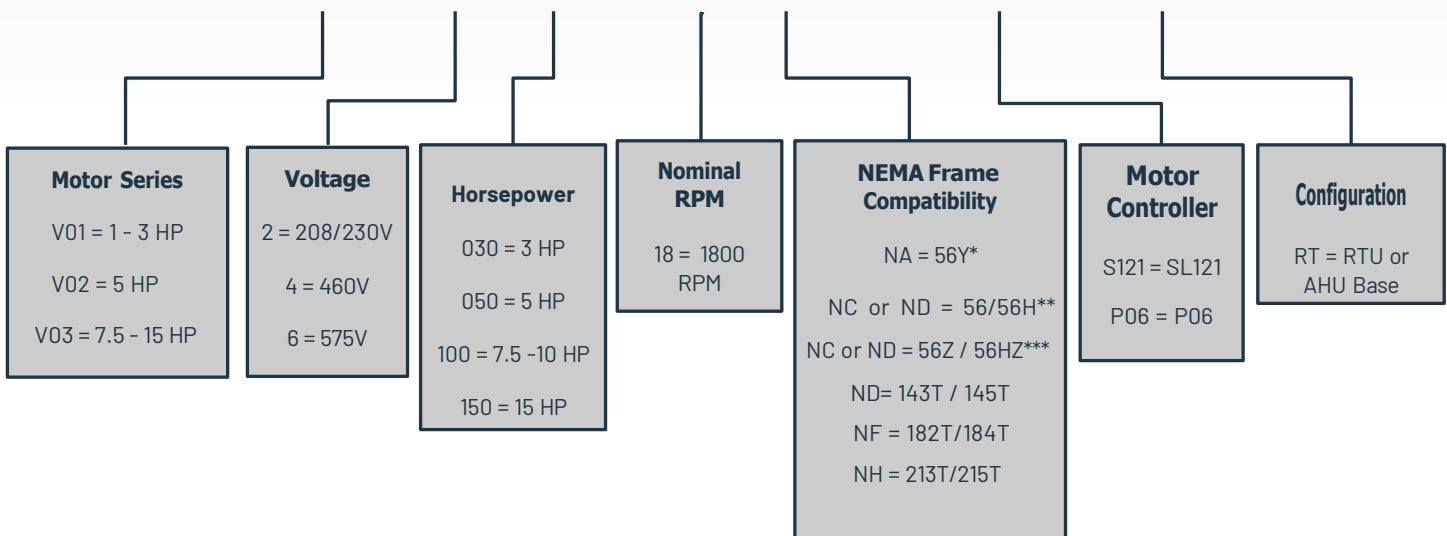
To simplify the ordering process, Turntide bundles motors, motor controllers, and supplemental components into a Bundled Smart Motor System SKU so you can quickly select an option that includes all the necessary components for your job.

Note: This document is *not* intended to teach someone how to build a Turntide Bill of Materials (BOM) based on an equipment survey.



## Example Bundled Smart Motor System SKU

**V01 - 2 030 - 18 ND - S121 - RT**



\*56Y frame motors are not all the same dimensions. If the existing motor is 56Y, make sure to check that it matches with the Turntide motor.

\*\*A shaft diameter of 5/8" = NC, if 7/8" = ND. 56/56H motors typically have a 5/8" shaft diameter but are not all the same dimensions. Make sure to check that shaft diameter, shaft height, shaft length, and bolt hole positioning match the Turntide motor.

\*\*\*A shaft diameter of 5/8" = NC, if 7/8" = ND. 56Z/56HZ motors typically have a 7/8" shaft diameter but are not all the same dimensions. Make sure to check that shaft diameter, shaft height, shaft length, and bolt hole positioning match the Turntide motor. Details are correct at time of publishing.

# Bundled Motor SKU Table



Motor SKU Bundle	Voltage Rating	HP	RPM	Compatible Frame Size	Motor SKU	Motor Controller SKU	Accessory Kit Included	Noise Isolation Feet Included	Motor Accessories Included
<b>V01-2030-18ND-S121-RT</b>	208/230V	1-3	100-3600	56Z/56HZ/143T/145T	V01-0300-2-D00	SL121-2030A-RT	KIT-RTU-003	KIT-ISLN-FT-101	CBL-PH14-004 KIT-INST-SP01 KIT-INST-SP03
<b>V01-2030-18NA-S121-RT</b>	208/230V	1-3	100-3600	56Y*	V01-0300-2-A00	SL121-2030A-RT	KIT-RTU-003	KIT-ISLN-FT-101	CBL-PH14-004 KIT-INST-SP01 KIT-INST-SP03
<b>V01-2030-18NC-S121-RT</b>	208/230V	1-3	100-3600	56/56H*	V01-0300-2-C00	SL121-2030A-RT	KIT-RTU-003	KIT-ISLN-FT-101	CBL-PH14-004 KIT-ADAP-001 KIT-INST-SP01 KIT-INST-SP03
<b>V01-2030-18NF-S121-RT</b>	208/230V	1-3	100-3600	182T/184T	V01-0300-2-F00	SL121-2030A-RT	KIT-RTU-003	KIT-ISLN-FT-201	CBL-PH14-004 KIT-INST-SP01 KIT-INST-SP03
<b>V01-4030-18ND-S121-RT</b>	400/460V	1-3	100-3600	56Z/56HZ/143T/145T	V01-0300-4-D00	SL121-4030A-RT	KIT-RTU-003	KIT-ISLN-FT-101	CBL-PH14-004 KIT-INST-SP01 KIT-INST-SP03
<b>V01-4030-18NA-S121-RT</b>	400/460V	1-3	100-3600	56Y*	V01-0300-4-A00	SL121-4030A-RT	KIT-RTU-003	KIT-ISLN-FT-101	CBL-PH14-004 KIT-ADAP-001 KIT-INST-SP01 KIT-INST-SP03
<b>V01-4030-18NC-S121-RT</b>	400/460V	1-3	100-3600	56/56H*	V01-0300-4-C00	SL121-4030A-RT	KIT-RTU-003	KIT-ISLN-FT-101	CBL-PH14-004 KIT-ADAP-001 KIT-INST-SP01 KIT-INST-SP03
<b>V01-4030-18NF-S121-RT</b>	400/460V	1-3	100-3600	182T/184T	V01-0300-4-F00	SL121-4030A-RT	KIT-RTU-003	KIT-ISLN-FT-201	CBL-PH14-004 KIT-INST-SP01 KIT-INST-SP03
<b>V01-6030-18ND-P06-RT</b>	575V	1-3	100-3600	56Z/56HZ/143T/145T	V01-0300-6-D00	P06C-0500-RT	KIT-RTU-003	KIT-ISLN-FT-101	CBL-PH14-004 KIT-INST-SP01 KIT-INST-SP03
<b>V01-6030-18NA-P06-RT</b>	575V	1-3	100-3600	56Y*	V01-0300-6-A00	P06C-0500-RT	KIT-RTU-003	KIT-ISLN-FT-101	CBL-PH14-004 KIT-INST-SP01 KIT-INST-SP03
<b>V01-6030-18NC-P06-RT</b>	575V	1-3	100-3600	56/56H*	V01-0300-6-C00	P06C-0500-RT	KIT-RTU-003	KIT-ISLN-FT-101	CBL-PH14-004 KIT-ADAP-001 KIT-INST-SP01 KIT-INST-SP03
<b>V01-6030-18NF-P06-RT</b>	575V	1-3	100-3600	182T/184T	V01-0300-6-F00	P06C-0500-RT	KIT-RTU-003	KIT-ISLN-FT-201	CBL-PH14-004 KIT-INST-SP01 KIT-INST-SP03
<b>V02-2050-18ND-P06-RT</b>	208/230V	5	100-3600	56Z/56HZ/143T/145T	V02-0500-2-D00	P06-0500-RT	KIT-RTU-003	KIT-ISLN-FT-101	CBL-PH12-004 KIT-INST-SP01 KIT-INST-SP03
<b>V02-2050-18NF-P06-RT</b>	208/230V	5	100-3600	182T/184T	V02-0500-2-F00	P06-0500-RT	KIT-RTU-003	KIT-ISLN-FT-201	CBL-PH12-004 KIT-INST-SP01 KIT-INST-SP03
<b>V02-4050-18ND-P06-RT</b>	400/460V	5	100-3600	56Z/56HZ/143T/145T	V02-0500-4-D00	P06-0500-RT	KIT-RTU-003	KIT-ISLN-FT-101	CBL-PH12-004 KIT-INST-SP01 KIT-INST-SP03
<b>V02-4050-18NF-P06-RT</b>	400/460V	5	100-3600	182T/184T	V02-0500-4-F00	P06-0500-RT	KIT-RTU-003	KIT-ISLN-FT-201	CBL-PH12-004 KIT-INST-SP01 KIT-INST-SP03
<b>V02-6050-18ND-P06-RT</b>	575V	5	100-3600	56Z/56HZ/143T/145T	V02-0500-6-D00	P06C-0500-RT	KIT-RTU-003	KIT-ISLN-FT-101	CBL-PH12-004 KIT-INST-SP01 KIT-INST-SP03
<b>V02-6050-18NF-P06-RT</b>	575V	5	100-3600	182T/184T	V02-0500-6-F00	P06C-0500-RT	KIT-RTU-003	KIT-ISLN-FT-201	CBL-PH12-004 KIT-INST-SP01 KIT-INST-SP03

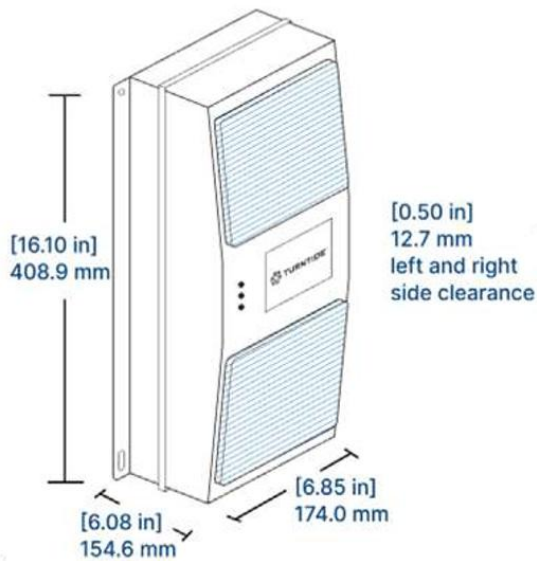
Note: \*56Y and 56H frame motors are not all the same dimensions. If the existing motor is 56Y or 56H, make sure to check that it matches with the Turntide motor.

Motor SKU Bundle	Voltage Rating	HP	RPM	Compatible Frame Size	Motor SKU	Motor Controller SKU	Accessory Kit Included	Noise Isolation Feet Included	Motor Accessories Included
V03-4100-18NH-P06-RT	400/460V	7.5-10	100-3600	213T/215T	V03-1000-4-H00	P06-1500-RT	KIT-RTU-003	KIT-ISLN-FT-301	CBL-PH10-004
V03-6100-18NH-P06-RT	575V	7.5-10	100-3600	213T/215T	V03-1000-6-H00	P06C-1500-RT	KIT-RTU-003	KIT-ISLN-FT-301	CBL-PH10-004
V03-4150-18NH-P06-RT	400/460V	15	100-3600	213T/215T	V03-1500-4-H00	P06-1500-RT	KIT-RTU-003	KIT-ISLN-FT-301	CBL-PH10-004
V03-6150-18NH-P06-RT	575V	15	100-3600	213T/215T	V03-1500-6-H00	P06C-1500-RT	KIT-RTU-003	KIT-ISLN-FT-301	CBL-PH10-004

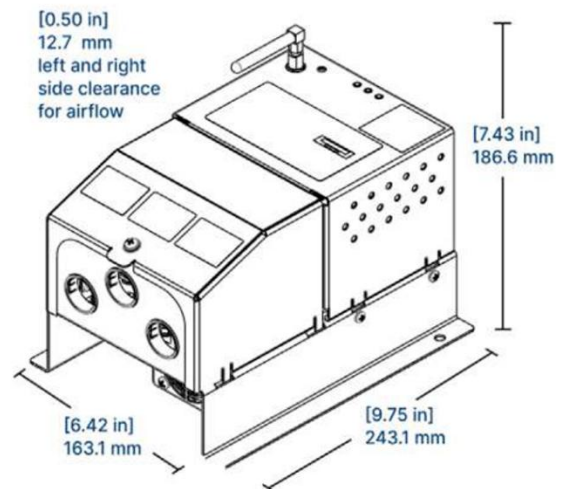
**CUSTOMERS:** For detailed SKU descriptions, contact [support@turntide.com](mailto:support@turntide.com).

## Motor Controller Dimensions

### SL121 Motor Controller



### SL121 Motor Controller



**TURNTIDE TECHNOLOGIES**

Turntide Technologies | 11720 Amber Park Drive, Suite 160, Alpharetta, GA 30009 | [turntide.com](http://turntide.com) | [support@turntide.com](mailto:support@turntide.com)