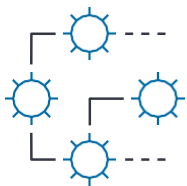


Turntide Technician App Overview

HVAC Retrofits Made Easy

With just your phone in hand, Turntide Technician provides everything you need to interface with Turntide Smart Motors when you're on a rooftop. With powerful features built into the application supported by a friendly user interface, Turntide Technician makes evaluating, commissioning, and installing Turntide Smart Motor System™ energy conservation measure (ECM) projects easy.



Streamline

Provides a single, convenient touchpoint when you're on a roof



Profit

Accelerates delivery of successful Turntide ECM projects



Optimize

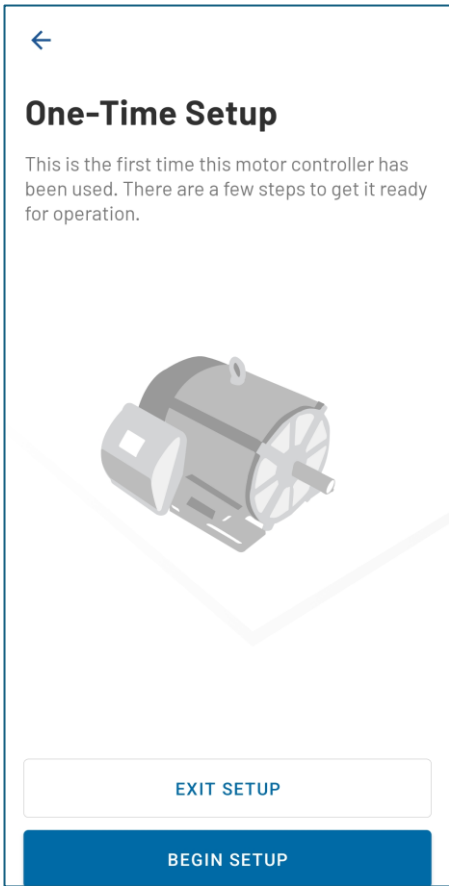
Refine motor system performance post-installation

Access everything you need for a rooftop visit right from your phone

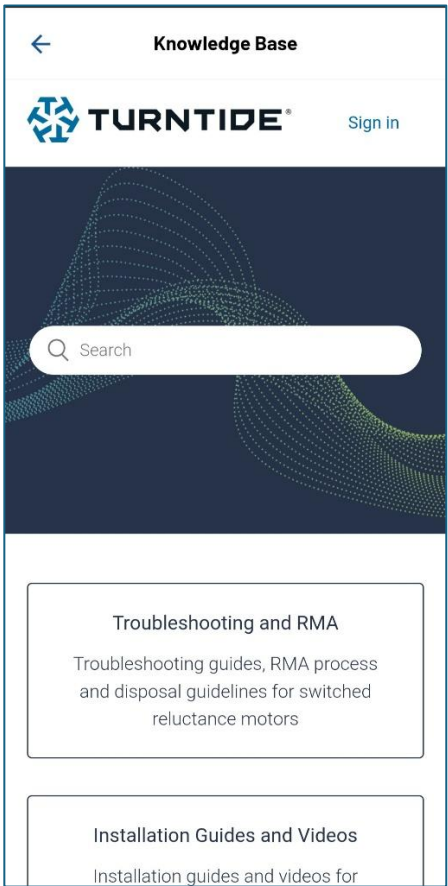
- Reduces paperwork in the field
- Eliminates the need to bring extra computing devices to the rooftop
- Assists technicians with timely help and support



Access one application for your rooftop visit



Commission Turntide Motors with your personal mobile device



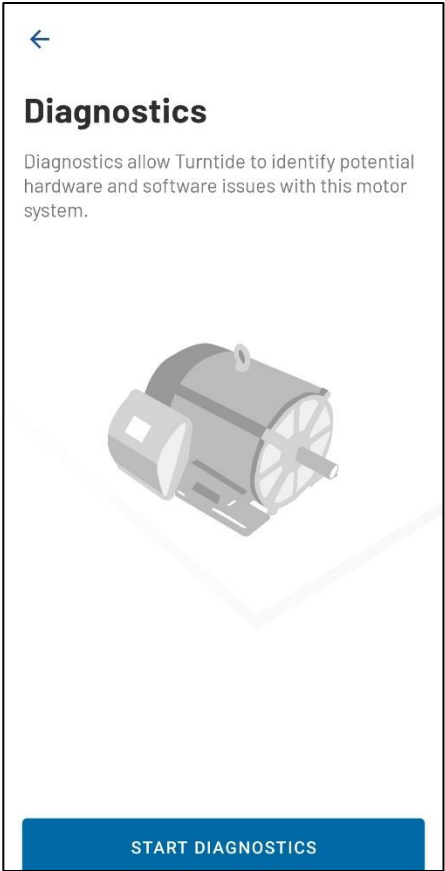
Access information from the Turntide Knowledge Base



Adjust motor operating parameters and flows



Access real-time motor performance data



Find troubleshooting information and processes

How to Get Started

1. Download the Turntide Technician App available on both iOS and Android.
2. Contact support@turntide.com to get your credentials and for any questions.



TURNTIDE TECHNOLOGIES

Turntide Technologies | 11720 Amber Park Drive, Suite 160, Alpharetta, GA 30009 | turntide.com | support@turntide.com

